

Maintenance Instructions

A few pointers for better results and for longer product life.



Follow installation instructions.



Lock castors when rolling up lanes and when in a storage position



Rinse with clear water on a weekly basis.



Retighten nuts and bolts on a monthly basis. (including bolts of castors)



Wipe down all blue powder coated parts with a damp rag every month.



In case of tarnishing please use a cream cleaner such as „cif,, to polish off. Wax surface for prevention.



Always release the brakes before moving the Storage Trolley.

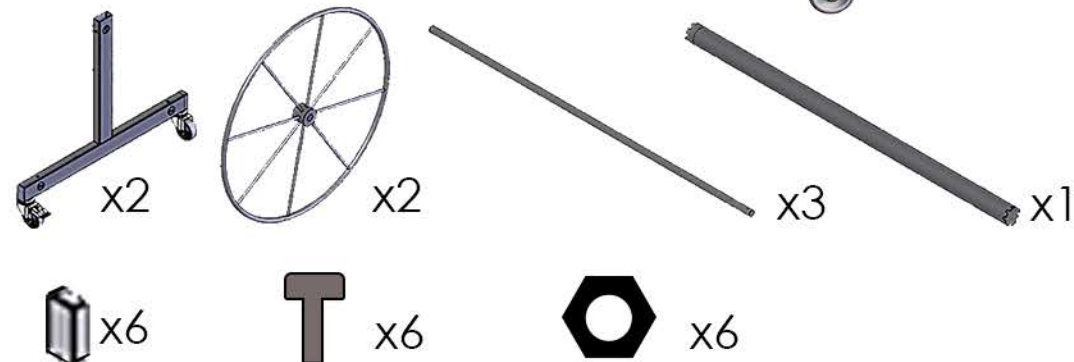
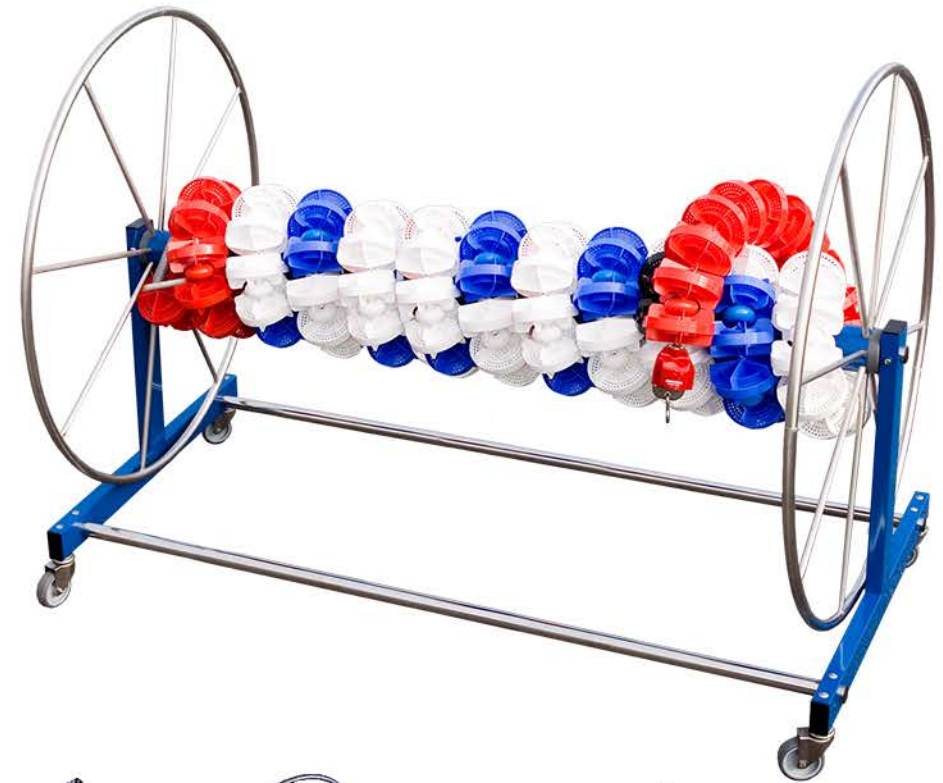


Store trolley, with or without lanes, in a dry, well ventilated area. Preferably out of direct sunlight.



Malmsten AB, Box 73, 29621 ÅHUS, Sweden
info@malmsten.com www.malmsten.com

Assembly Instructions for Malmsten Storage Trolley Art.No. 1012001



Assembly Instructions

