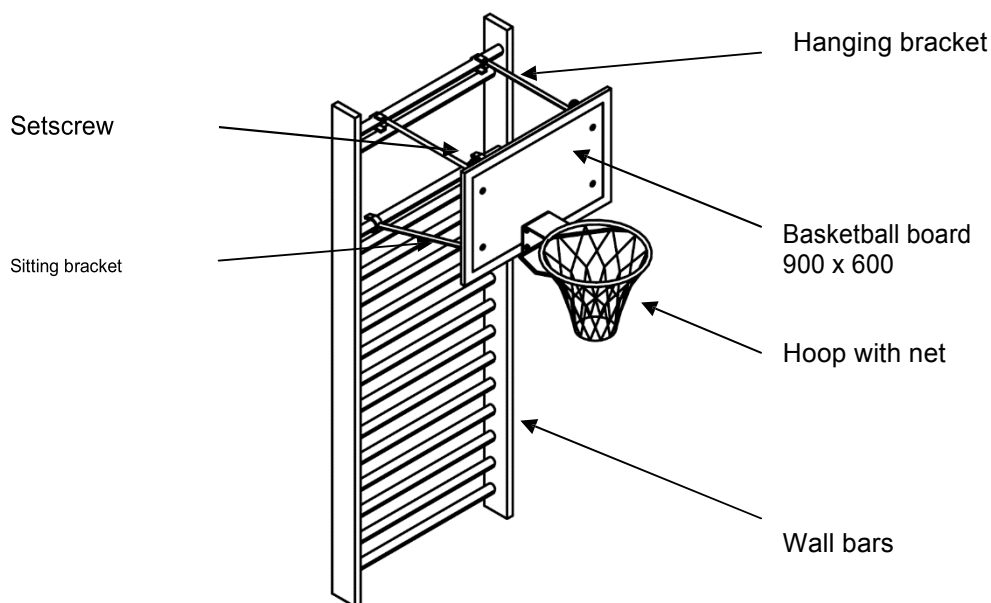


Operating and assembly instructions for basketball system **(for wall bars)**

Thank you very much for choosing a **Sport-Thieme** product. Please read the instructions fully before you assemble the equipment so you can enjoy the product and its guaranteed safety:



III. 1: Basketball system with wall bars

Included:

- 1161234 Basketball backboard made from MDF
- 1160909 Standard basketball hoop with fixings
- 1162501 Basketball net, made from nylon
- 1165018 Mounting for basketball system consisting of:
 - hanging bracket
 - sitting bracket
 - two mounting rails

1. General

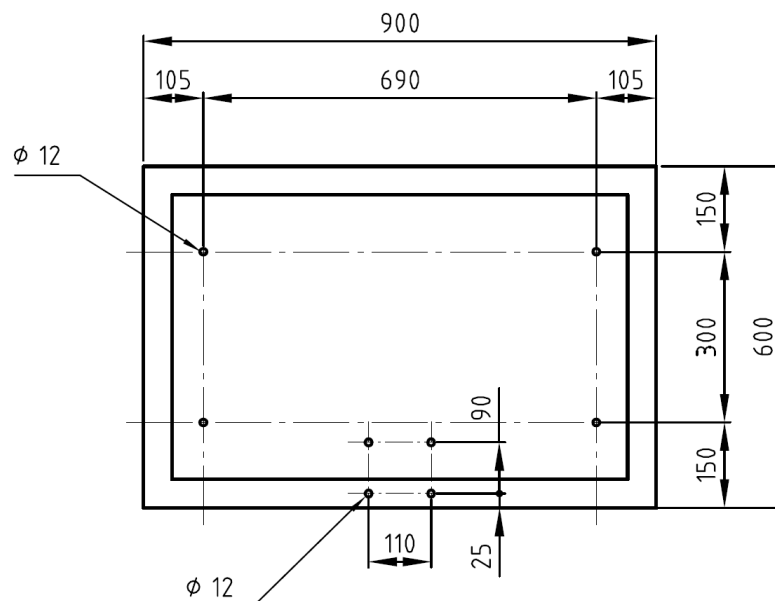
Convert your wall bars into a basketball system in a few simple steps. Fold out the steel construction, hang to the wall bars at the top and bottom and adjust the setscrews if necessary.

The basketball system is ready. After disassembly, the system can be stored easily and compactly.

This system is suitable for indoor use only.

2. Assembly instructions

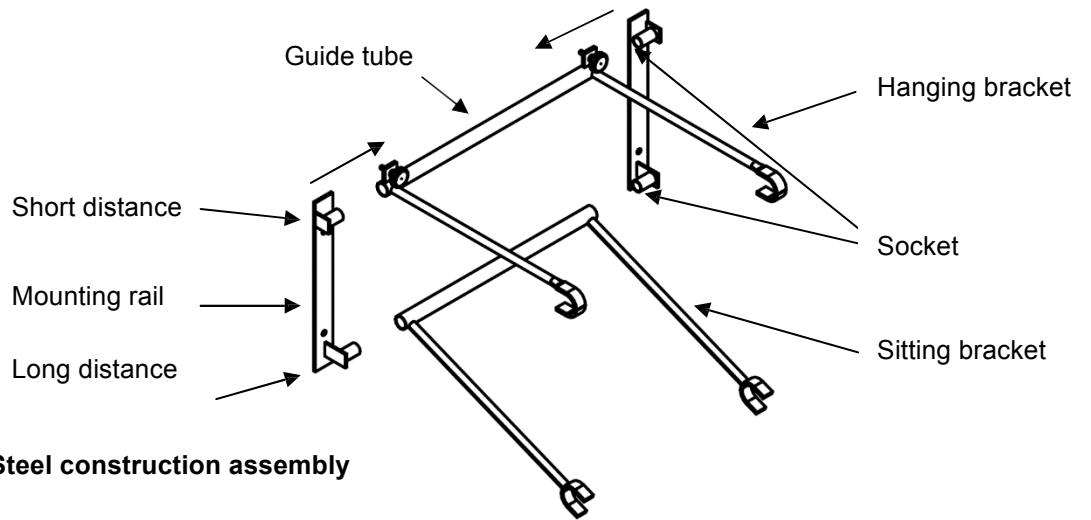
2.1 Follow the drilling diagram and drill the board using a wood drill bit $\varnothing 12$ mm



III. 2: Basketball board drilling diagram

2.2 Insert the left and right mounting rails' sockets on both sides into the guide tube of the hanging brackets. The hanging bracket must be attached to the short distances at the top.

Repeat with the sitting bracket at the bottom. Here, the guide tube must be mounted to the long distances. See ill. 3



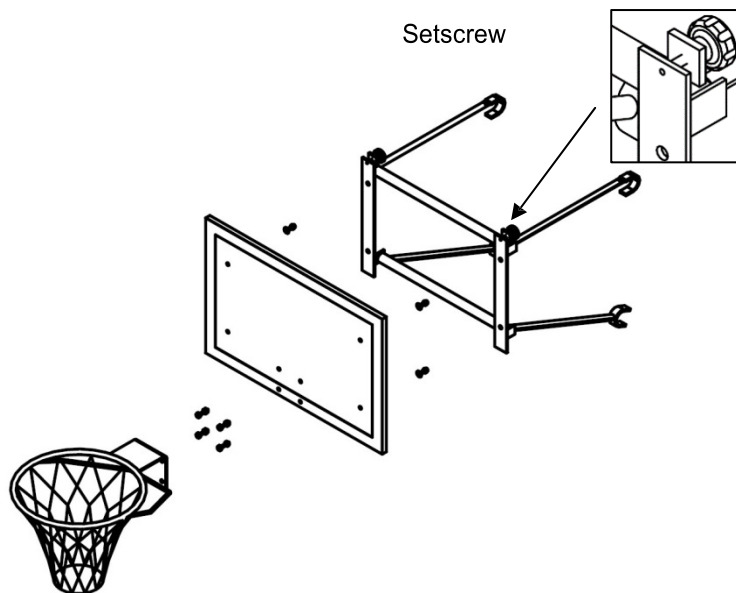
III. 3: Steel construction assembly

2.3 Fixing to the board

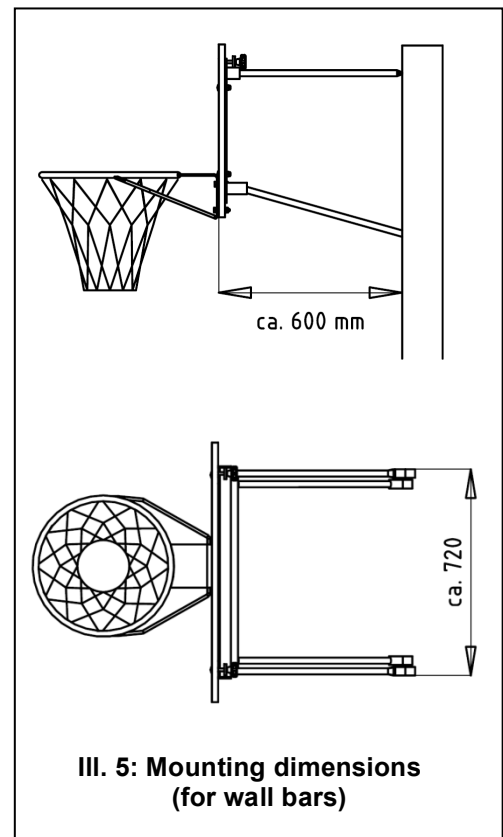
Now, fix the assembled steel construction to the basketball board using the included screws, washers and nuts. See ill. 3.

2.4 Mount the hoop to the board using the four screws included. See ill. 3.

2.5 Adjust the board to a vertical position on the wall bars using the setscrew.



III. 4: Assembly of the system



III. 5: Mounting dimensions
(for wall bars)

Caution: Do not overload or climb the equipment!
Ensure that players do not hang from the hoop!
For new installations, ball throwing training equipment, which have clearance behind the board of less than 1.65 m, are not suitable for use in a game situation and should therefore not be positioned opposite to each other.



Instructions:

Maintenance and care instructions

Carry out a visual check at regular intervals. Due to our continuous quality control of the products, technical changes may occur which may lead to slight deviations in the instructions.

Check at regular intervals that the screw connections are tight. Check the equipment for possible damage and replace worn-out parts.

Ensure that moveable parts are free-moving.

Hanging from the system can lead to overload and destroy the system.

We are happy to answer any questions you may have.

Your **Sport-Thieme** Team